

**2 PIECES CARBON STEEL TRUNNION BALL VALVE FLANGED CLASS 150 PN20 JC  
LONG PATTERN (ASME B16.10 TABLE 1-18) PTFE FILLED GRAPHITE SEAT**

2 pieces split body trunnion ball valve JC with PTFE bearing, full bore for Chemical industries, petrochemical industries, hydraulic installation, heating, water distribution, compressed air.

Double block and bleed :

- To control the double tightness upstream/downstream of the valve
- Maximum safety for maintenance working downstream the valve

Low torque and high tightness even at low pressure. Seat installed on Inconel springs simple piston effect type (double piston effect on request).

Ball valve with firesafe certificate ISO 10497 and API 607 to reduce risks in case of fire.

Compatible with explosive atmosphere, ATEX Zone 1&21 and Zone 2&22 thanks to the antistatic device.

Handling possible with locking device, gearbox, oval handwheel or stem extension.

Thanks to the ISO 5211 plate, an actuator can be installed on the valve.



**JC  
VALVES**



**NACE MR01-75**

- Size :** DN50 to DN300 ( NPS 2" to 12" )
- Connection :** Flanges Class 150 PN20 RF
- Min Temperature :** -29°C
- Max Temperature :** +260°C
- Max Pressure :** 20 Bars
- Specifications :** Trunnion ball valve on PTFE bearing  
ISO 5211 mounting pad  
Anti blow-out stem, full bore  
Simple piston effect  
Fire safe ISO 10497 and API 607

**Materials :** Forged carbon steel ASTM A105N

## 2 PIECES CARBON STEEL TRUNNION BALL VALVE FLANGED CLASS 150 PN20 JC LONG PATTERN (ASME B16.10 TABLE 1-18) PTFE FILLED GRAPHITE SEAT

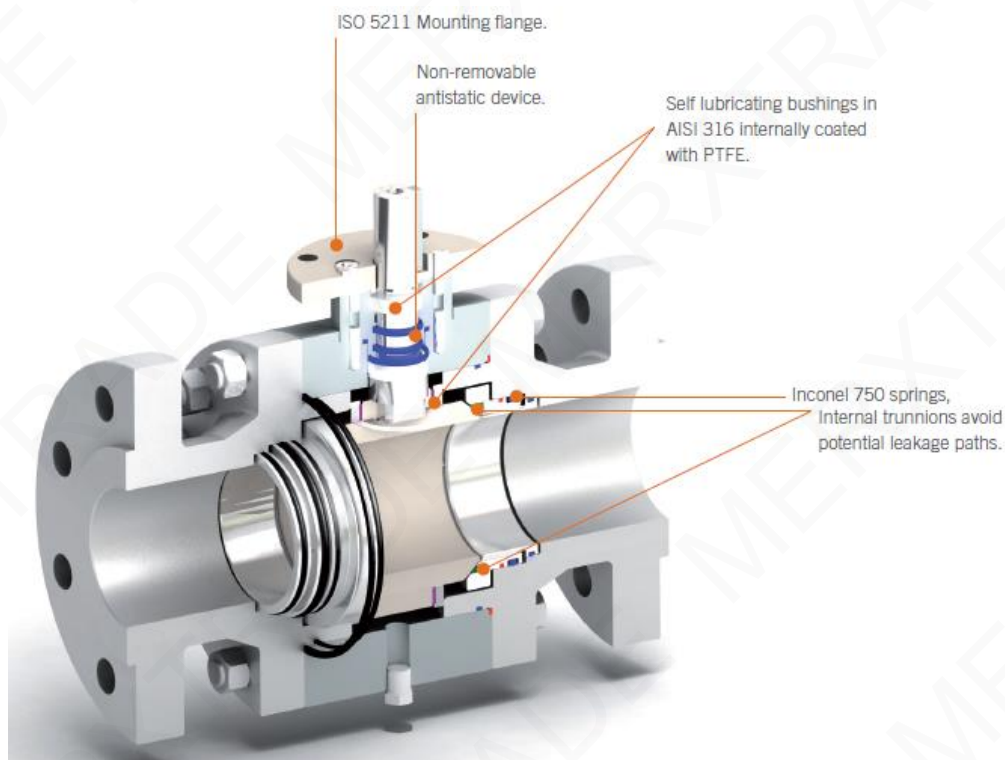
### SPECIFICATIONS :

- Trunnion ball valve on PTFE bearing
- PTFE filled with 20% graphite seat
- Forged carbon steel body
- Quadruple tightness on stem
- Inconel springs on seat
- Simple piston effect (double piston effect on request)
- With drain and blowhole
- Full bore
- Anti blow-out stem
- Locking device on request
- ISO 5211 mounting pad
- 3 pieces type
- Class 150 PN20 Flanges R.F.
- Antistatic device
- Fire safe ISO 10497 and API 607
- Fugitive emissions EN 15848-1 : 2006 and TA LUFT VDI 2440
- Graphite packing + 3 FKM O rings on stem
- Painting color RAL 5009, 15-50µ thickness

### USE :

- Chemical industries, petrochemical industries, hydraulic installation, heating, water distribution, compressed air
- Min and max Temperature Ts : -29°C to + 260°C
- Max Pressure Ps : 20 bars ( see graph )
- Vacuum 10<sup>-2</sup> torr
- Compressed air (ambient temperature) : 16 bars maximum
- Steam : 12 bars maximum

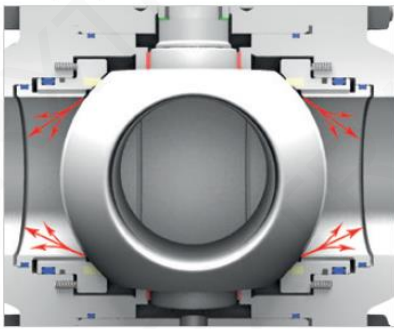
### SPECIFICATIONS :



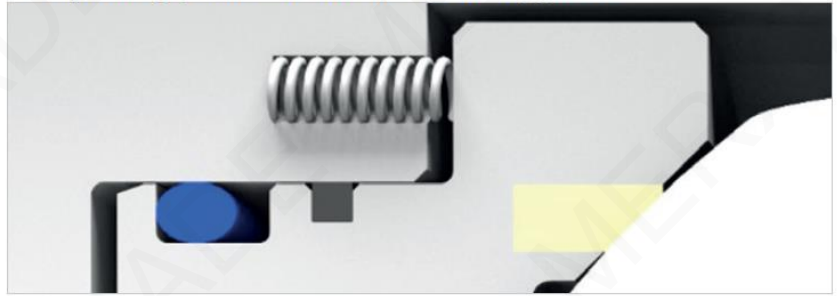
**2 PIECES CARBON STEEL TRUNNION BALL VALVE FLANGED CLASS 150 PN20 JC  
LONG PATTERN (ASME B16.10 TABLE 1-18) PTFE FILLED GRAPHITE SEAT**

SPECIFICATIONS (SUITE) :

Simple piston effect



PMSS Primary Metal Soft Seal  
Soft primary gasket and metal secondary gasket

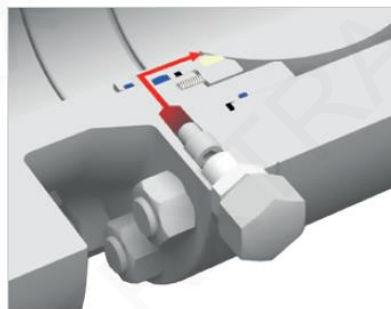


**ON REQUEST**

Double piston effect



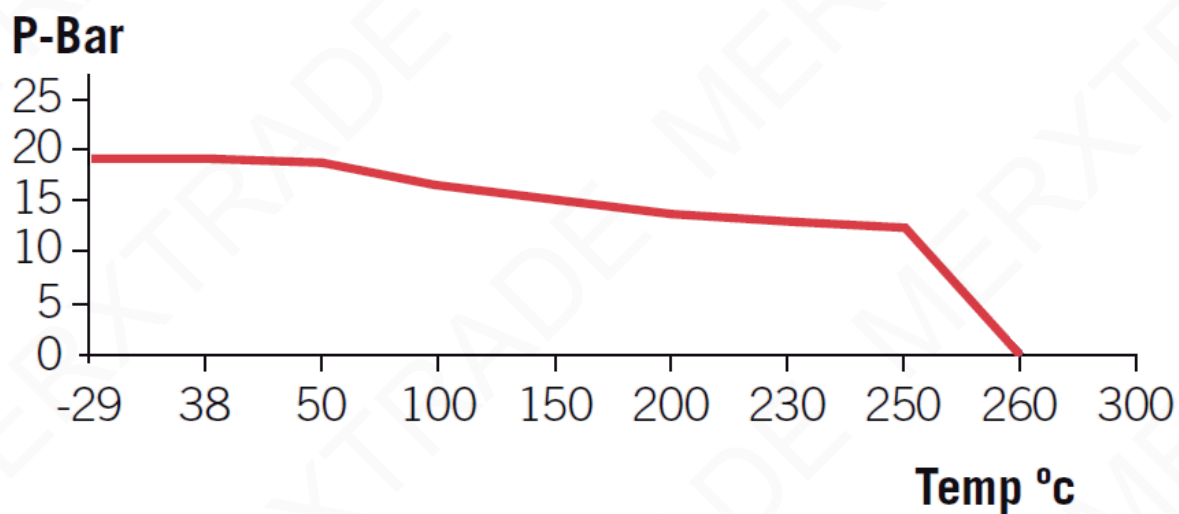
Emergency sealing injection



Scraper



PRESSURE / TEMPERATURE GRAPH ( STEAM EXCLUDED ) :



**2 PIECES CARBON STEEL TRUNNION BALL VALVE FLANGED CLASS 150 PN20 JC  
LONG PATTERN (ASME B16.10 TABLE 1-18) PTFE FILLED GRAPHITE SEAT**

**FLOW COEFFICIENT Kvs ( in m3 / h ) :**

NPS ( " )	2"	3"	4"	6"	8"	10"	12"
DN (mm)	50	80	100	150	200	250	300
Kvs ( m3 / h )	366	938	1465	3297	5861	9454	13631

**TORQUE VALUE ( in Nm without safety coefficient ) at 20 bars :**

NPS ( " )	2"	3"	4"	6"	8"	10"	12"
DN (mm)	50	80	100	150	200	250	300
Torque (Nm)	76	189	289	581	916	1230	1528

**RANGE :**

- Trunnion Carbon steel body ball valve with handle flanged Class 150 PN20 **Ref. 6015AICG** from DN50 to DN150 (NPS 2" to 6")
- Trunnion Carbon steel body ball valve with gearbox flanged Class 150 PN20 **Ref. 6015AICG** from DN200 to DN300 (NPS 8" to 12")

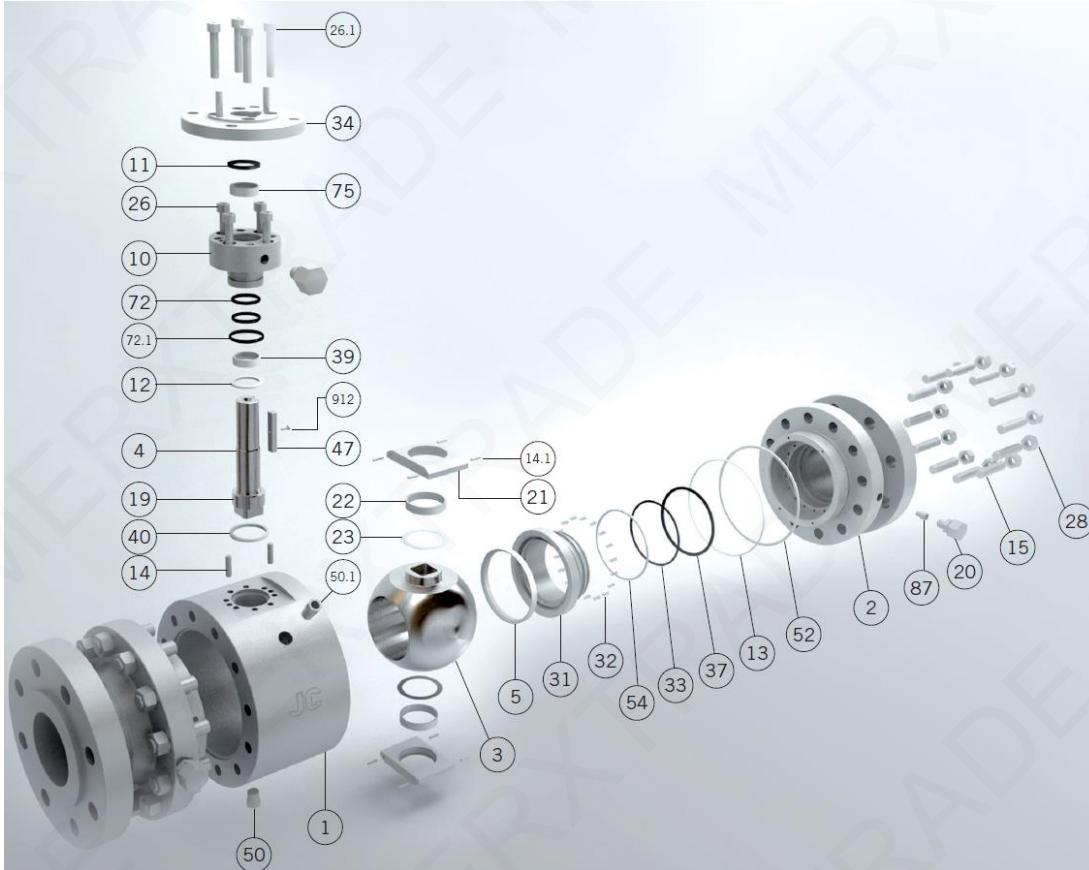
**ENDS:**

- Class 150 PN20 R.F. Flanges



**2 PIECES CARBON STEEL TRUNNION BALL VALVE FLANGED CLASS 150 PN20 JC  
LONG PATTERN (ASME B16.10 TABLE 1-18) PTFE FILLED GRAPHITE SEAT**

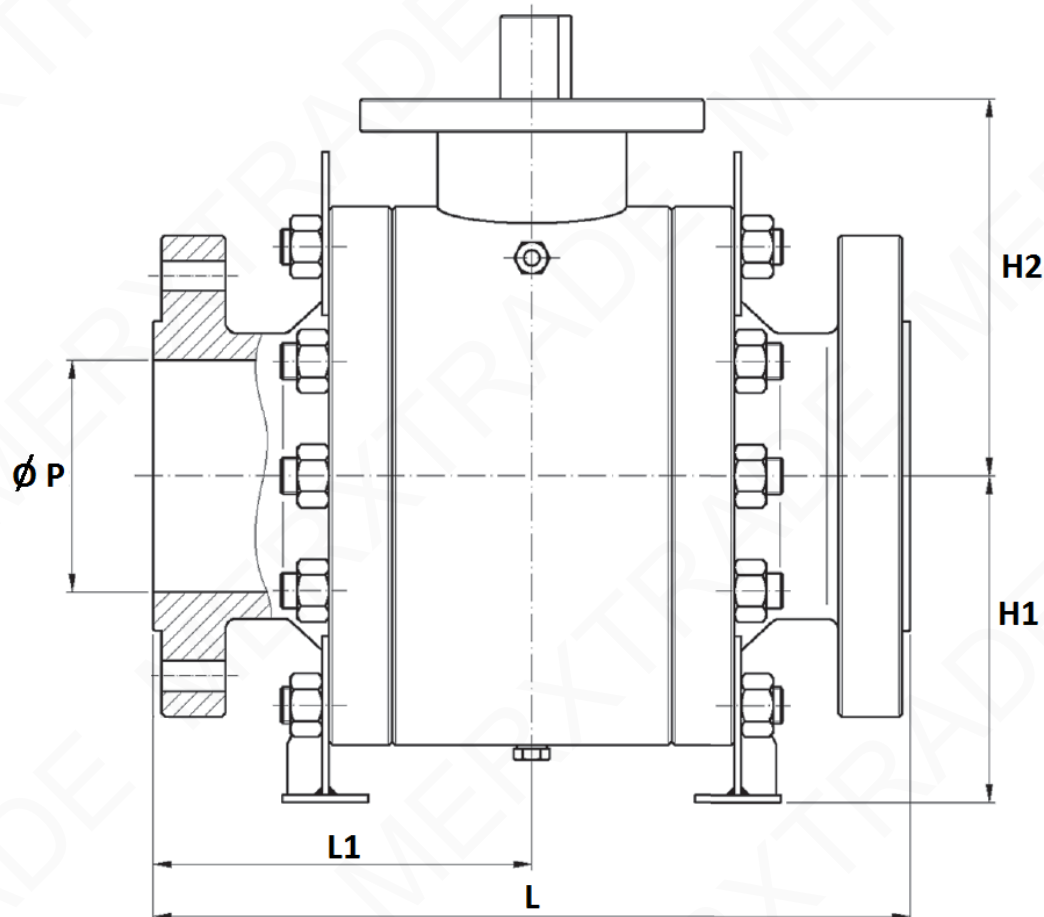
**MATERIALS :**



Item	Designation	Materials	Item	Designation	Materials
1	Body	ASTM A105N	28	Nut	A 194 Gr.2HM zinc dichr.
2	Ends		31	Seat	A479 TP.316/A182 F316
3	Ball	ASTM A351 CF8M	32	Spring	Inconel – 750
4	Stem	ASTM A479 Tp.316	33	O ring	FKM
5	Seat	PTFE filled with 20% graphite	34	Flange	ASTM A105N
10	Packing gland	ASTM A105N	37	O ring	FKM
11	Packing	Graphite	39	Stem bushing	AISI 316 with inside in PTFE
12	Thrust washer	PTFE filled with 25% glass fiber	40	Gasket	Graphite
13	Body gasket	Graphite	47	Pin	Carbon steel
14-14.1	Pin	Carbon steel	50	Draining cap	ASTM A105
15	Stud	A 193 Gr.B7M zinc dichr.	50.1	Cap	
19	Antistatic device	Stainless steel	52	O ring	FKM
20	Sealant injector	Carbon steel	54	Seat carrier seal	Graphite
21	Ball trunnion	A479 Tp.316	72-72.1	O ring	FKM
22	Trunnion bearing	AISI 316 with inside in PTFE	75	Stem bushing	AISI 316 with inside in PTFE
23	Bearing	PTFE	87	Check valve	Stainless steel
26-26.1	Bolt	A 193 Gr.B7M zinc dichr.	912	Bolt	DIN 912 A2

**2 PIECES CARBON STEEL TRUNNION BALL VALVE FLANGED CLASS 150 PN20 JC  
 LONG PATTERN (ASME B16.10 TABLE 1-18) PTFE FILLED GRAPHITE SEAT**

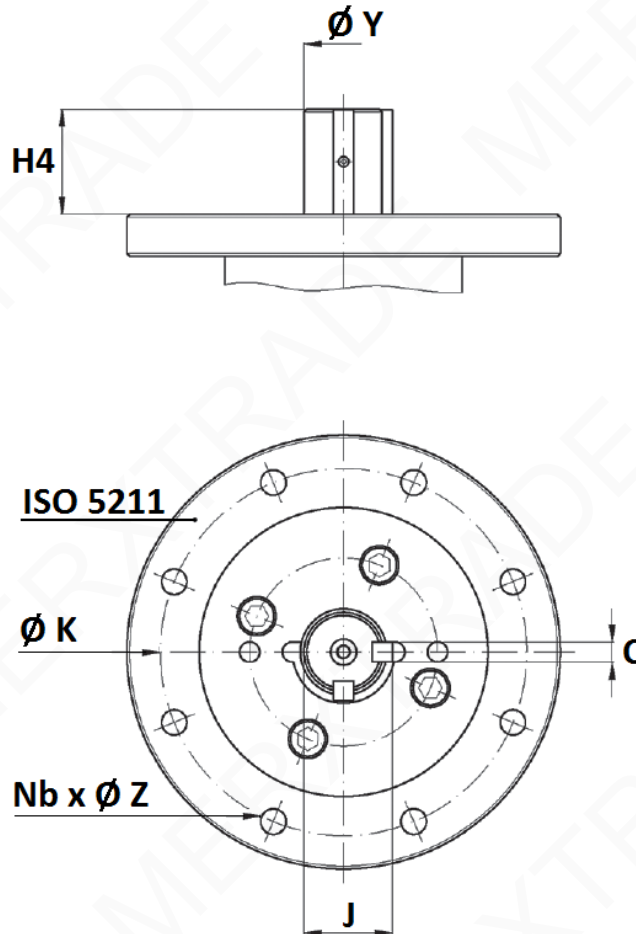
SIZE ( in mm ) :



NPS ( " )	2"	3"	4"	6"	8"	10"	12"
DN (mm)	50	80	100	150	200	250	300
Ø P	49	76	102	152	203	254	305
L	178	203	229	394	457	533	610
L1	89	101.5	114.5	197	228.5	266.5	305
H1	125	156.5	175	269	325	362	423
H2	100	133.5	167	277	325	319	399
Weight (in Kg)	24	47	86	191	357	529	794
Ref.	6015AICG050	6015AICG080	6015AICG100	6015AICG150	6015AICG200	6015AICG250	6015AICG300

**2 PIECES CARBON STEEL TRUNNION BALL VALVE FLANGED CLASS 150 PN20 JC  
 LONG PATTERN (ASME B16.10 TABLE 1-18) PTFE FILLED GRAPHITE SEAT**

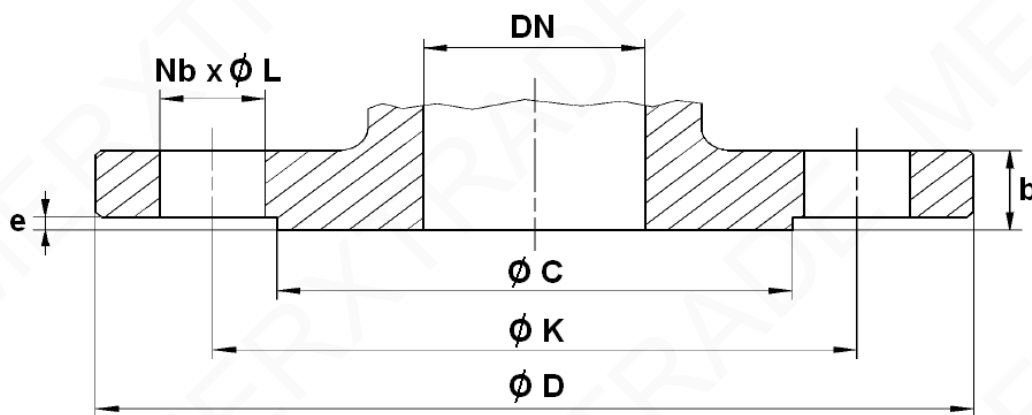
STEM AND ISO PLATE SIZE ( in mm ) :



NPS ( " )	2"	3"	4"	6"	8"	10"	12"
DN (mm)	50	80	100	150	200	250	300
H4	36.5	37.5	54	71	77	84.5	104
C	8	10	10	14	14	16	18
J	22.5	30	34	48.9	58.4	67	78
Ø Y	20	26	30	44.9	54.9	59.9	69.9
Ø K	102	125	125	165	254	254	254
ISO	F10	F12	F12	F16	F25	F25	F25
N x Ø Z	4 x 11	4 x 13	4 x 13	4 x 22	8 x 18	8 x 18	8 x 18

**2 PIECES CARBON STEEL TRUNNION BALL VALVE FLANGED CLASS 150 PN20 JC  
 LONG PATTERN (ASME B16.10 TABLE 1-18) PTFE FILLED GRAPHITE SEAT**

FLANGES SIZE ( in mm ) :



NPS ( " )	2"	3"	4"	6"	8"	10"	12"
DN (mm)	50	80	100	150	200	250	300
Ø C	92.1	127	157.2	215.9	269.9	323.8	381
Ø D	150	190	230	280	345	405	485
Ø K	120.7	152.4	190.5	241.3	298.5	362	431.8
Nb x Ø L	4 x 19		8 x 19	8 x 22		12 x 25.4	
b	15.8	19	24.6	25.5	28.5	30.2	31.8
e	1.6						



**2 PIECES CARBON STEEL TRUNNION BALL VALVE FLANGED CLASS 150 PN20 JC  
LONG PATTERN (ASME B16.10 TABLE 1-18) PTFE FILLED GRAPHITE SEAT**

**STANDARDS :**

- Manufacturer certified ISO 9001:2015 and ISO 14001 : 2015
- DIRECTIVE 2014/68/EU : CE N° 0056  
Risk Category IV module H1
- Certificate 3.1 on request
- Valve designing according to ISO 17292, API 6D and ASME B16.34
- Body design according to ASME VIII Div.1
- Materials according to NACE MR 01-75
- Pressure Tests according to API 598
- Marking according to EN 19
- Fire safe according to ISO 10497 : 2004 and API 607 5<sup>th</sup>
- Fugitive Emissions according to EN 15848-1 : 2006 B Class and TA LUFT VDI 2440
- SIL2 according to IEC/EN 61508, SIL 3 possible according to the type of installation
- Flanges R.F. type B1 Class 150 according to ASME B16.5
- ISO 5211 mounting pad
- Length according to ASME B16.10 Table 1 Column 18 (EN 558 series 3 up to DN100, series 12 from DN150 to 300)
- ATEX Group II Category 2 G/2Dc Zone 1 & 21 Zone 2 & 22 ( optional marking ) according to directive 2014/34/EU
- Russian certificate TRCU 10, TRCU 12 and TRCU 32 (EAC marking and declaration **on request**)

**ADVICE :** Our opinion and our advice are not guaranteed and mxt shall not be liable for the consequences of damages. The customer must check the right choice of the products with the real service conditions.